

Cila Go

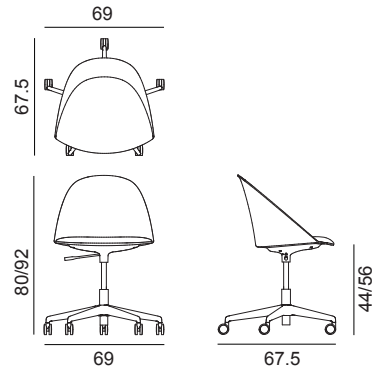
Design by Lievore Altherr, 2019

Art. 2316

Chair on a 5 way reinforced nylon fibre swivel base (black or white) mounted on self-braking castors (in the same colour as the base). Shell fully upholstered in fabric, leather, coated fabric or customer's own material. The writing tablet must therefore be included when placing the order, because it can be assembled only on compatible shells.

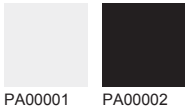


Dimensions *



* File CAD 2D - 3D available for download at www.arper.com

Frame Base



arper

info@arper.com


www.arper.com


Cila Go

Design by Lievore Altherr, 2019

SHIPMENT DETAILS

Art.2316

1 pz = 2  - kg 14,11/ m³ 0,25

4 pz = 5  - kg 49,61/ m³ 0,606

RESISTANCE TEST

- TUV GS (EN16139)

ENVIRONMENTAL CERTIFICATIONS



TECHNICAL SPECIFICATIONS

Art.2316

COL requirement m² 3

H 140 cm. COM Meterage m 1.31

*Classe 1, 2, 1IM: fire retardant version available with surcharge and eventual minimum batch

FIRE RETARDANT TEST

Classe 1IM Omologazione Italia Field Kvadrat Remix 3 Kvadrat Steelcut
2 Kvadrat Steelcut Trio 3 Kvadrat Coated fabric Valencia Spradling

arper

www.arper.com
info@arper.com